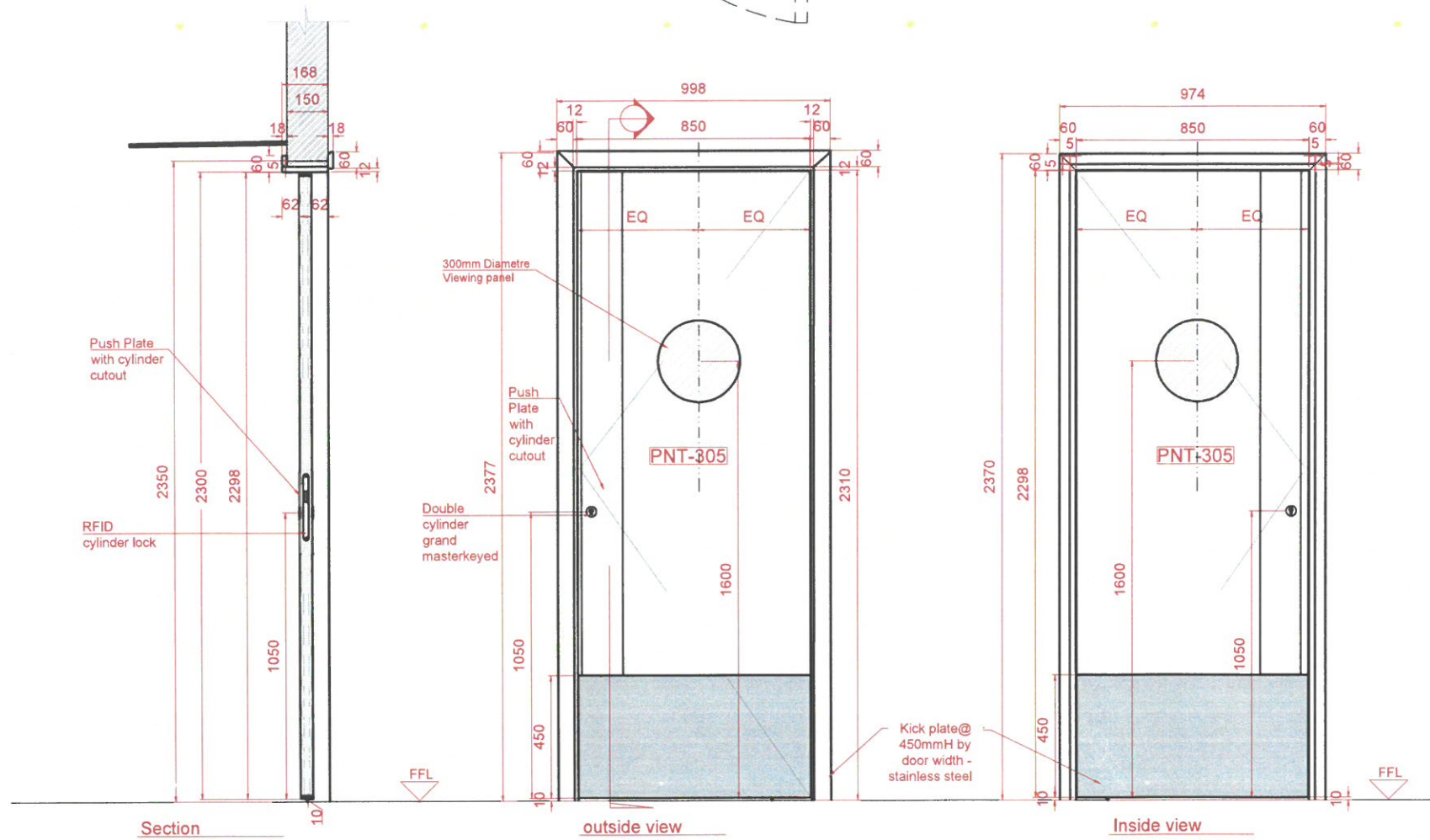
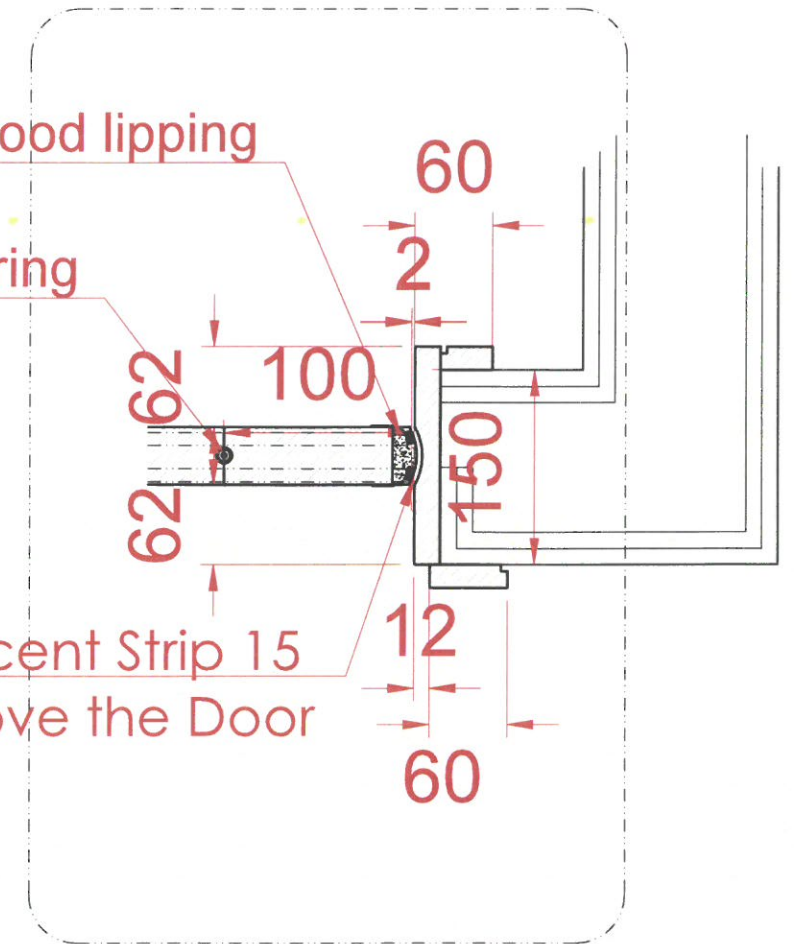


15 Hardwood lipping

Floor spring

Intumescent Strip 15 mm Above the Door



D9	Ground floor access to BOH door	
panel Size	894mm W x 2350mm H x 56mm thk	
Finish	GF: Painted to match PNT-305	
Door leaf type	Single door, Double swing Flush door	
Ironmongery & Accessories	Kick plate 450mmH by width of door	Stainless steel
	Double action non hold open floor spring	Black finish
	RFID cylinder lock	Black finish
	Push plate 150mmW by door height with cylinder cutout (left/right)	Black finish
	Doorstop Type 2	Black finish
Location	Ground floor access to BOH	
Total QTY	3	
Fire Rating	60Mins	
Acoustic	30dB	
Remarks		

