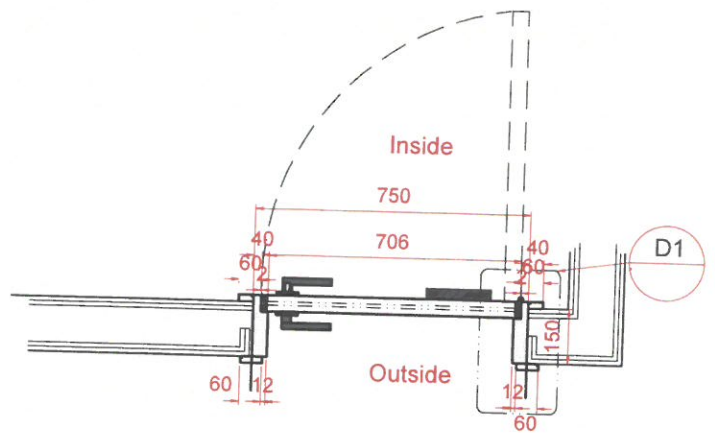
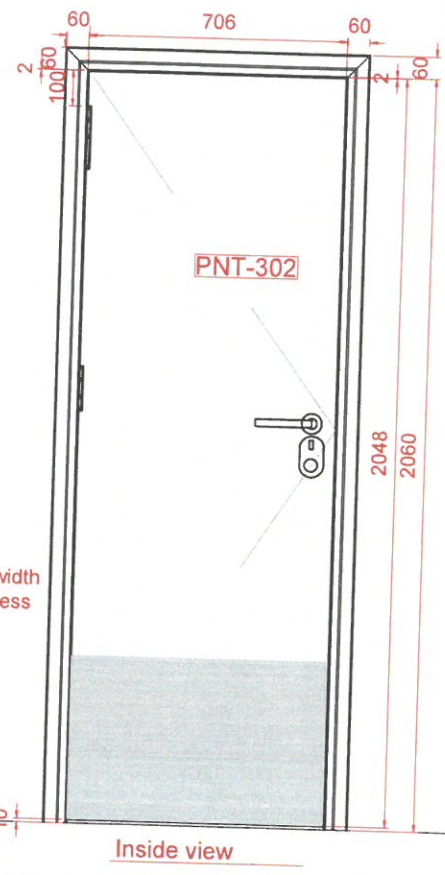
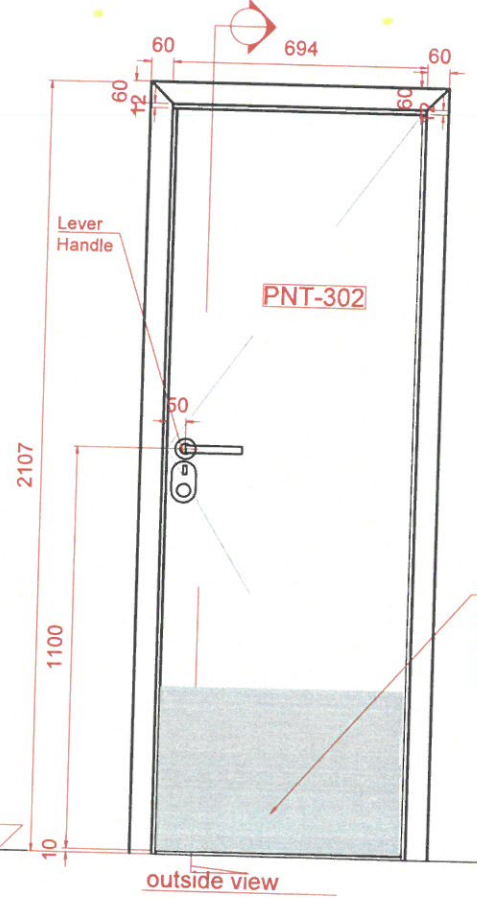
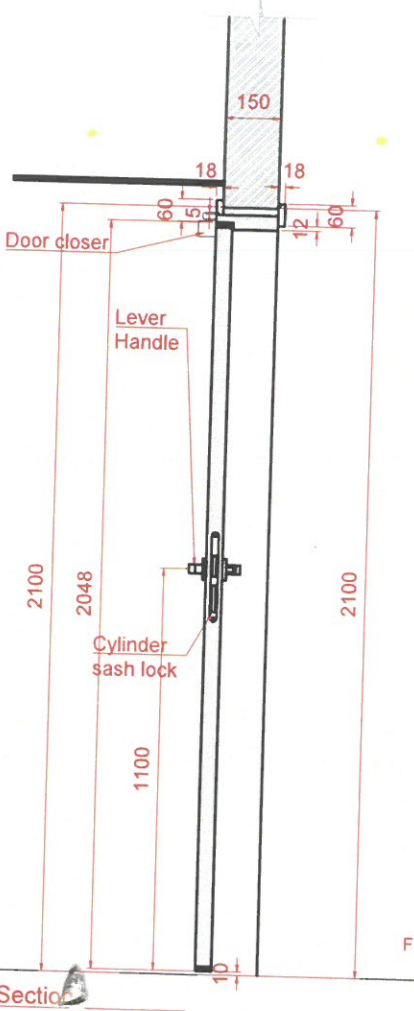
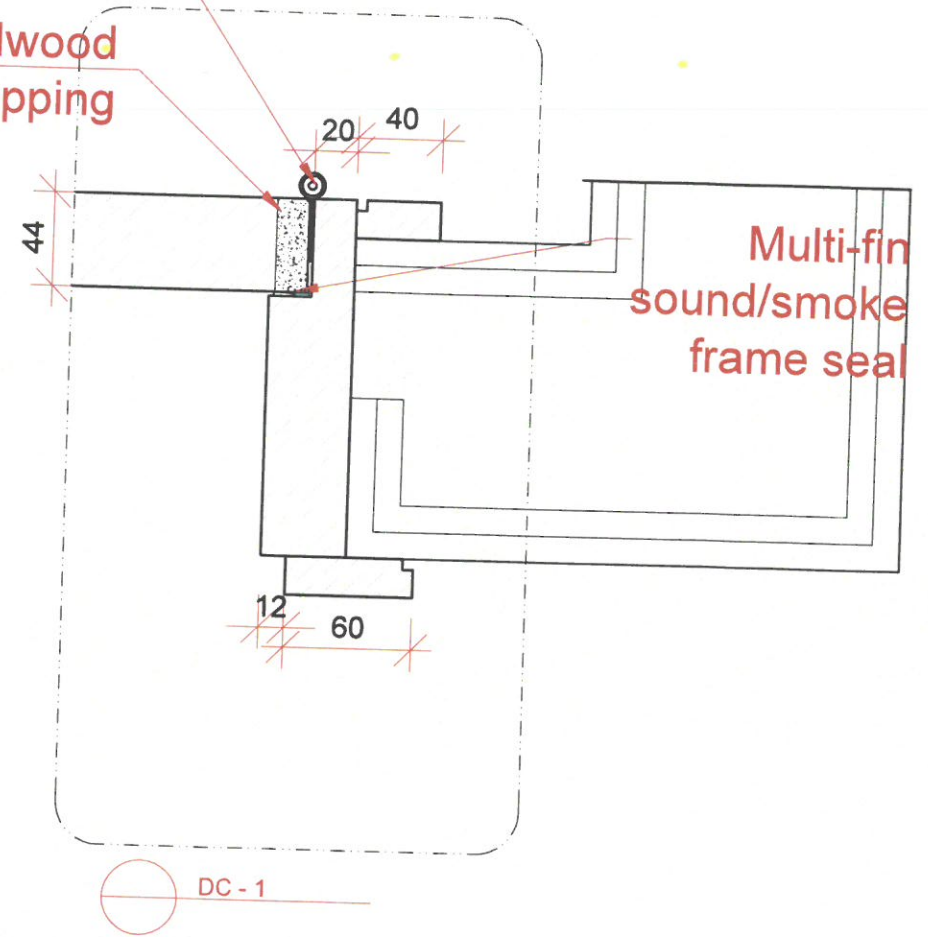


✓ APPROVED



Hinges with curved edges / SS finish

15 Hardwood lipping



D41	Ancillary Building doors	
panel Size	750mm W x 2100mm H x 44mm thk	
Finish	Painted to match FOH Finish PNT-302	
Door leaf type	Single door, single swing Flush door	
Ironmongery & Accessories	Handles: Front door handle Type 2 - Lever handle	Stainless steel
	Lock: Cylinder sash lock	Stainless steel
	Double cylinder grand masterkeyed 70mmL	Stainless steel
	Cylinder escutcheon	Stainless steel
	Door closer - Non hold open	Stainless steel
	Hinges Type 2: Hinges with curved edges	Stainless steel
	Half moon Door stop & Kick plate 450mmH by width of door	Stainless steel
Location	BOH toilet	
Total QTY	1	
Fire Rating	NA	
Acoustic	NA	
Remarks		

