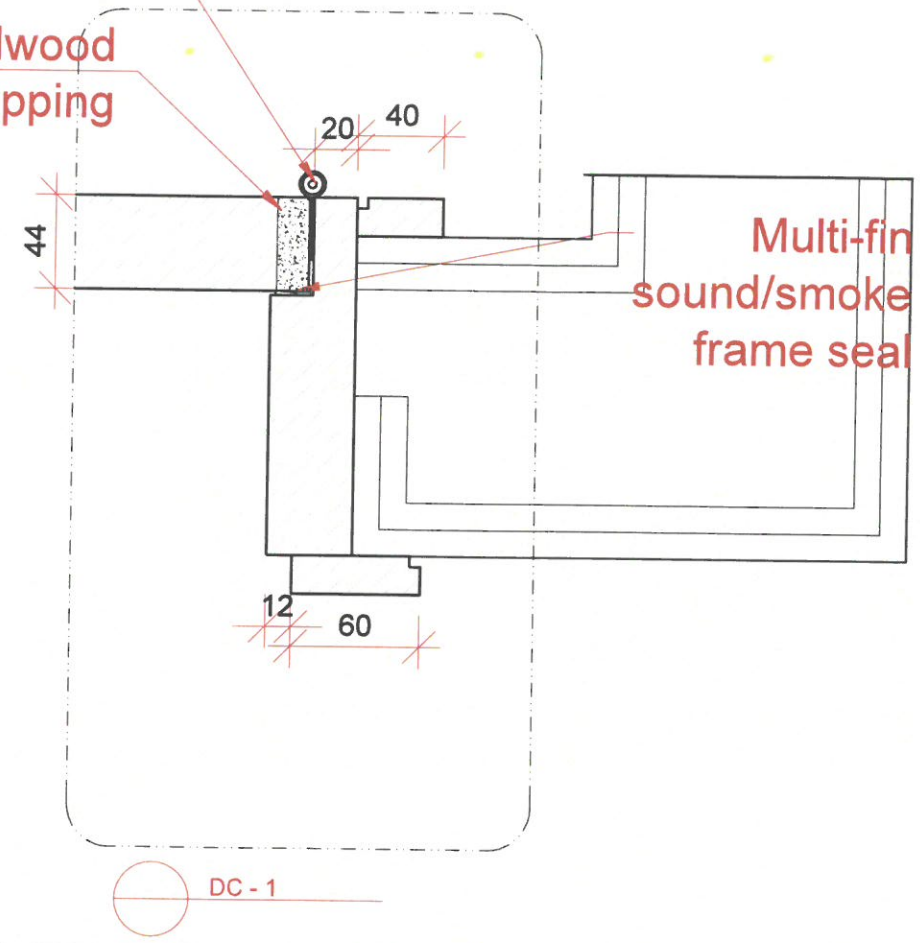
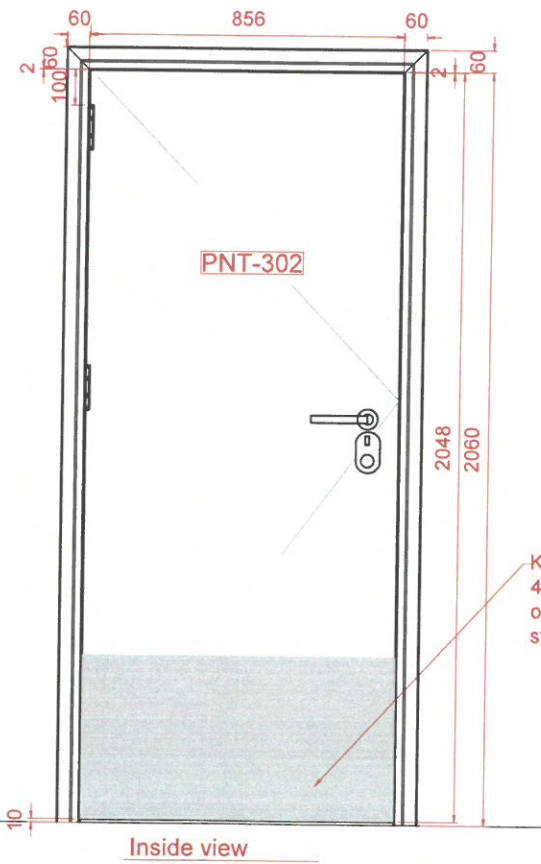
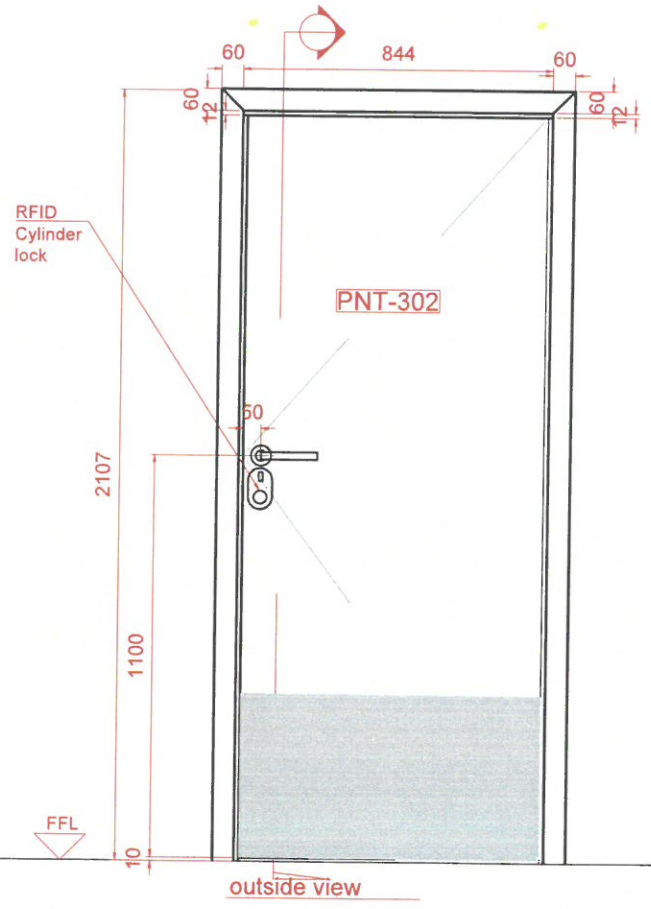
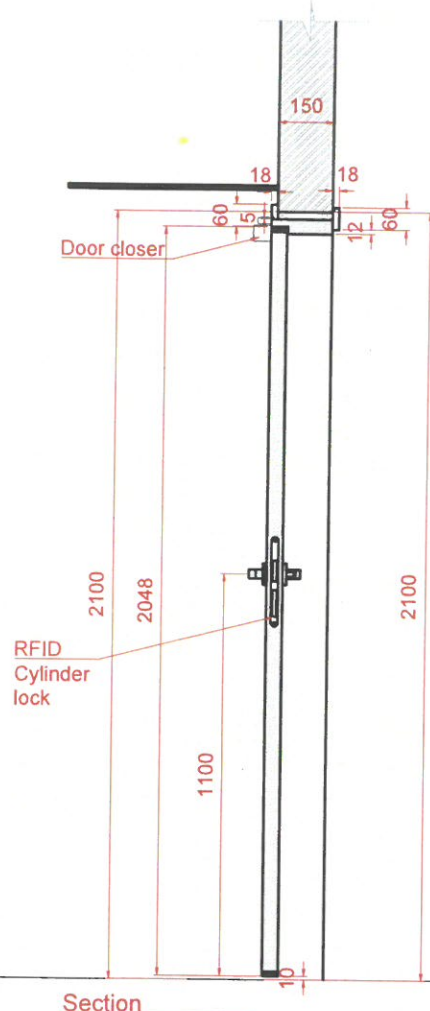


Hinges with curved edges / SS finish

15 Hardwood lipping

Multi-fin sound/smoke frame seal



<b>D36a</b>	Ancillary Building doors	
panel Size	900mm W x 2100mm H x 44mm thk	
Finish	Painted to match FOH Finish PNT-302	
Door leaf type	Single door, single swing Flush door	
Ironmongery & Accessories	RFID Cylinder lock	Stainless steel
	Door closer - Non hold open	Stainless steel
	Hinges Type 2: Hinges with curved edges	Stainless steel
	Half moon Door stop	Stainless steel
	Kick plate 450mmH by width of door	Stainless steel
Location	BOH toilet doors	
Total QTY	3	
Fire Rating	NA	
Acoustic	NA	
Remarks		

