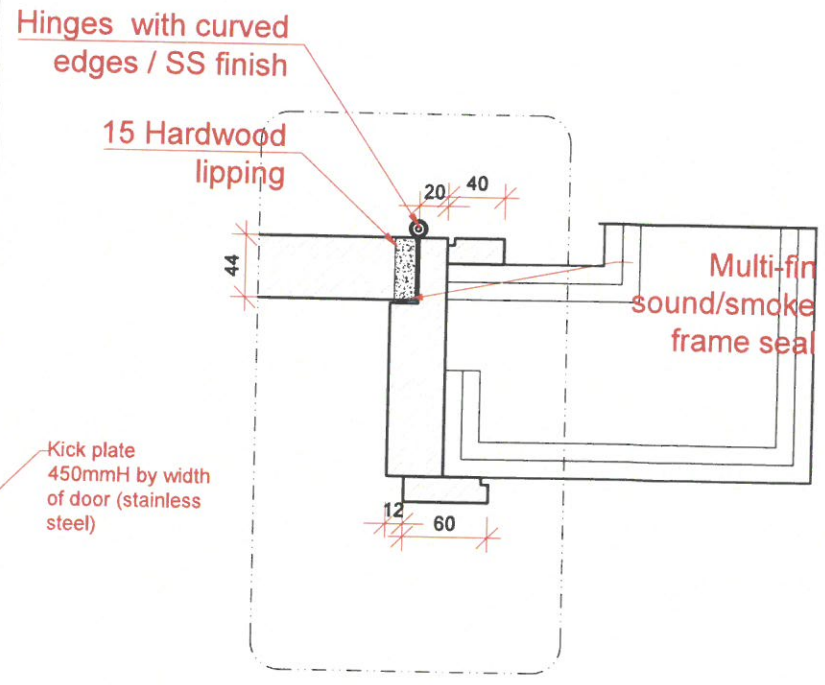
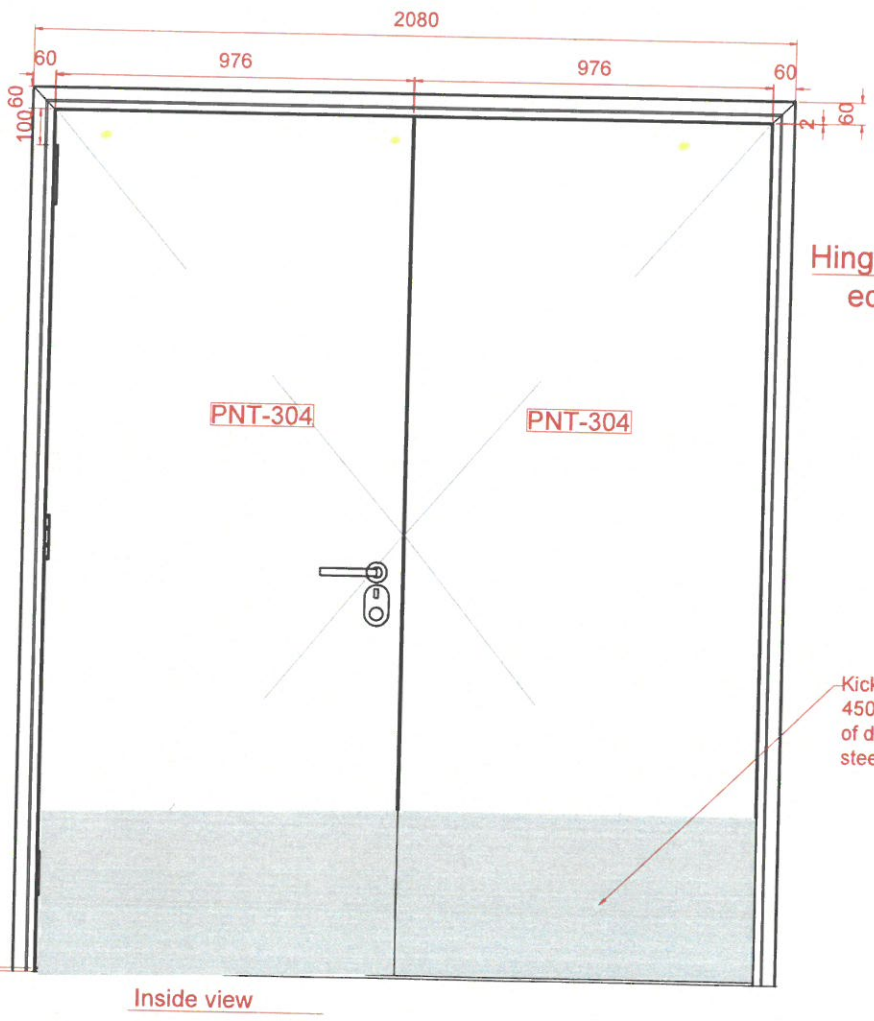
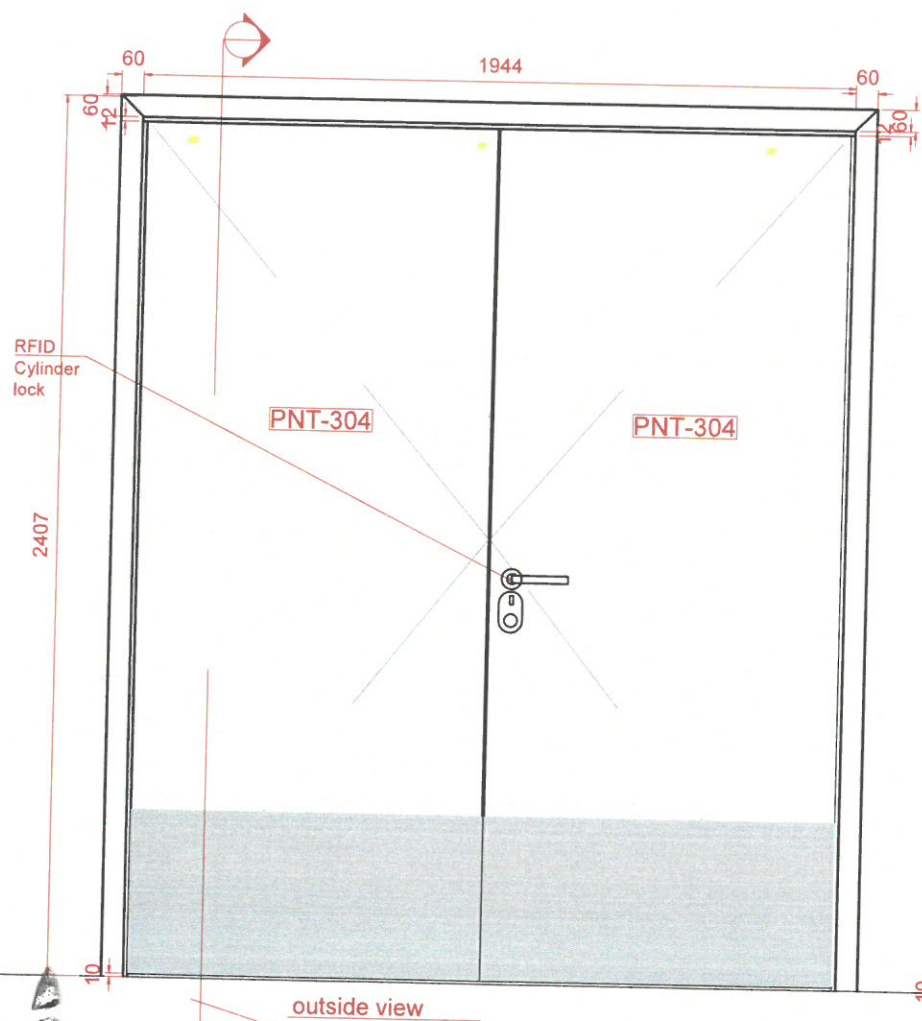
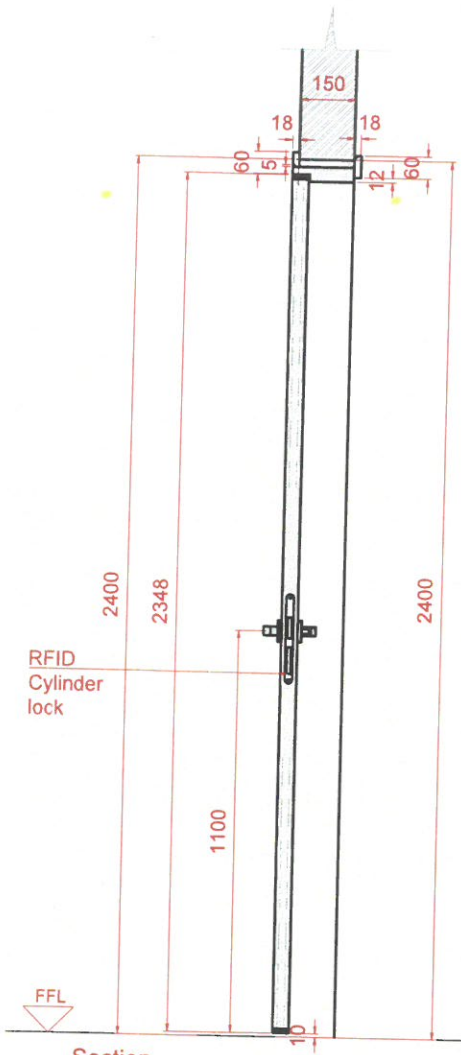
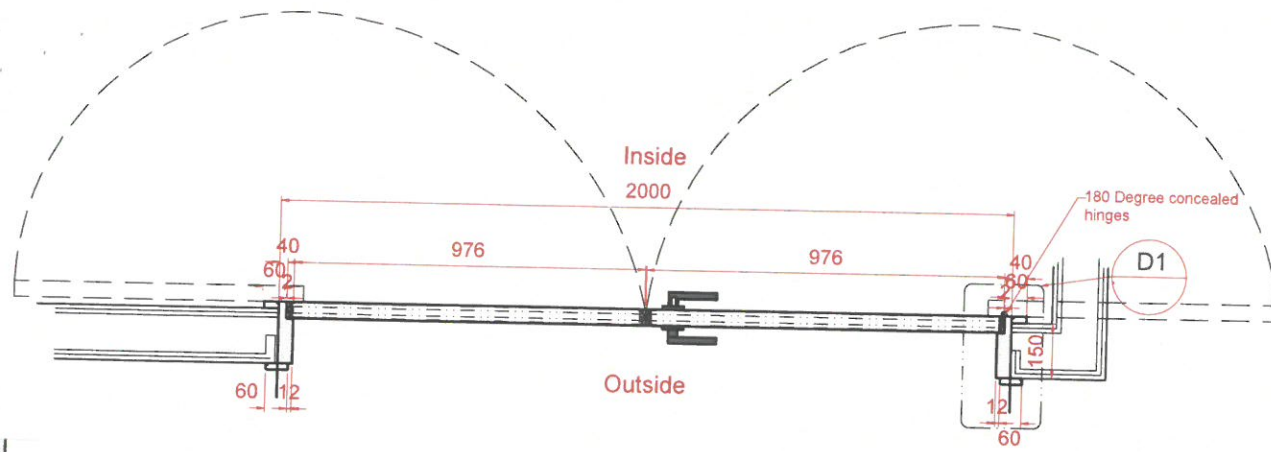


✓ APPROVED



DC - 1

D26	Main Elect / panel Room door	
panel Size	2000mm W x 2400mm H x 56mm thk	
Finish	Painted to match PNT-304	
Door leaf type	Double door, Single 180 degree swing	
Ironmongery & Accessories	RFID Cylinder lock	
	Magnetic door contact	Stainless steel
	Hinges Type 3 : Concealed SOSS 180 Degree function hinges	Stainless steel
	Kick plate 450mmH by width of door	Stainless steel
Location	Main Elect / panel Room	
Total QTY	1	
Fire Rating	60Mins	
Acoustic	NA	
Remarks		

