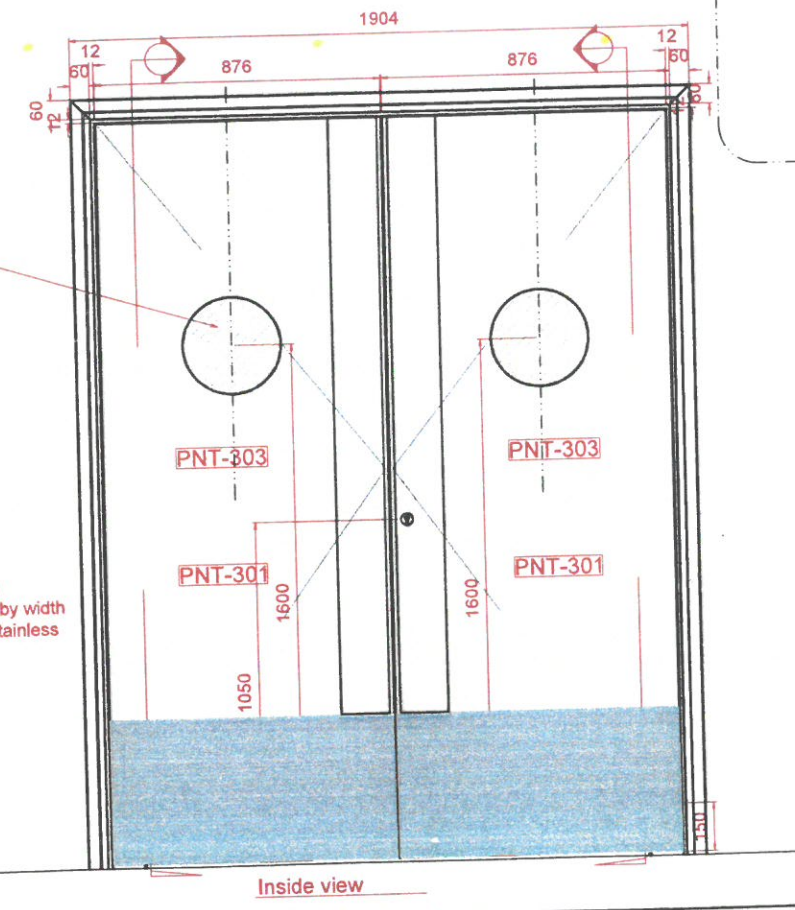
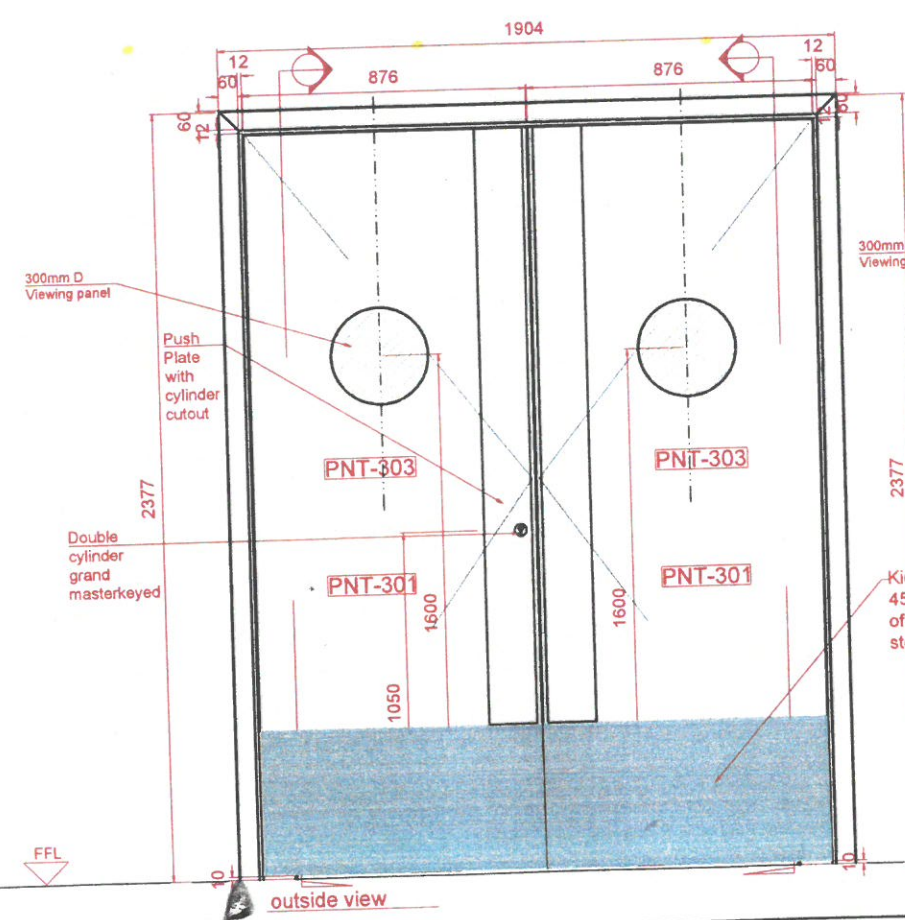
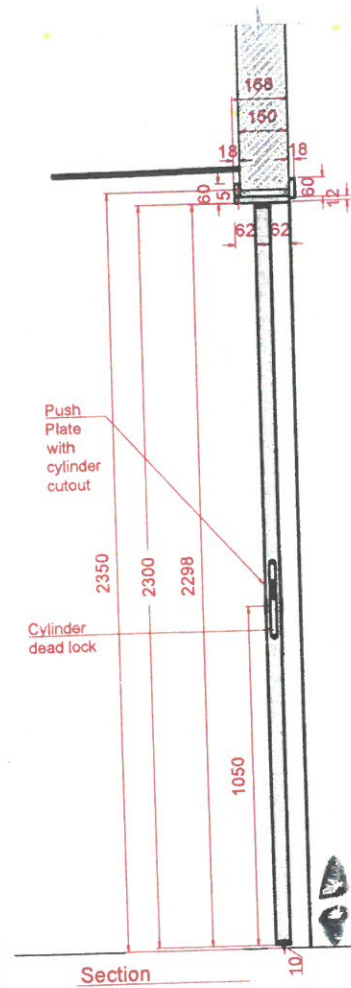
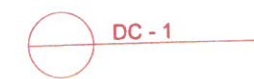
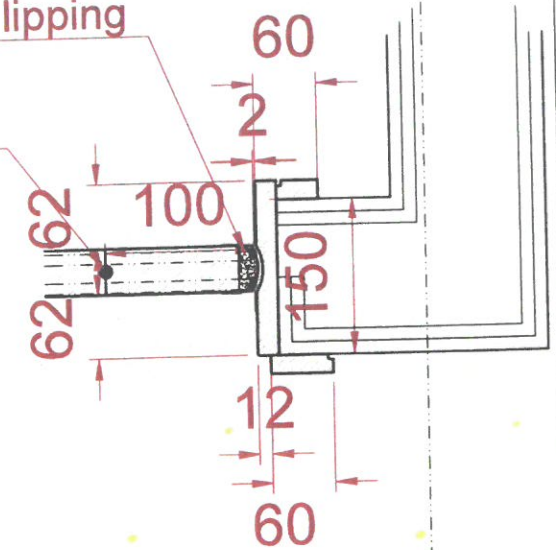


4 pcs

15 Hardwood lipping

Floor spring



D19	GF double door access to BOH	
panel Size	1800mm W x 2350mm H x 44mm thk	
Finish	Show kitchen : Painted to match PNT-303 , Pre-function lobby : Painted to match PNT-301	
Door leaf type	Double door, opposing swing	
Ironmongery & Accessories	Kick plate @ 450mmH with door width	Stainless steel
	Lock: Cylinder deadlock	Black finish
	Double cylinder grand masterkeyed 70mmL	Black finish
	Flush bolt	Black finish
	Push plate 150mmW by Door height	Black finish
	Double action non-hold open floor spring	Black finish
	Location	GF Show kitchen , Pre-function lobby
Total QTY	2	
Fire Rating	NA	
Acoustic	30dB	
Remarks		

