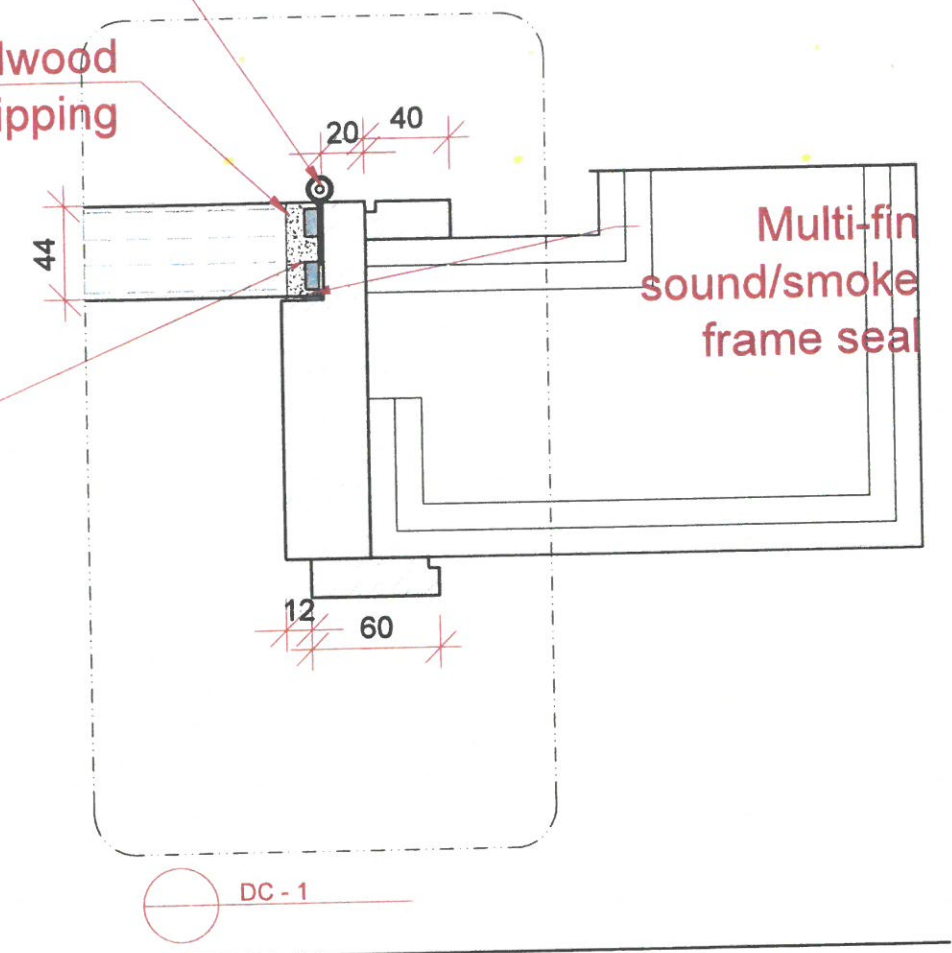


Hinges with curved edges / SS finish

15 Hardwood lipping

Intumescent strip 15mm above door



D13e	GF Luggage store entrance door	
panel Size	900mm W x 2300mm H x 56mm thk	
Finish	Painted to match PNT-304	
Door leaf type	Single door, single swing Flush door	
Ironmongery & Accessories	Lock : Vingcard by other	Black Finish
	Door closer - Door closer NON hold open	Black Finish
	Hinges Type 2 : Hinges with curved edges	Black Finish
	Doorstop Type 2	Black Finish
Location	GF Luggage store entrance	
Total QTY	2	
Fire Rating	60Mins	
Acoustic	NA	
Remarks		

13 panels for 6mm
 3 packs of staple pi
 Masking tape - 18
 Glue - 50
 6mm - 30 panel

