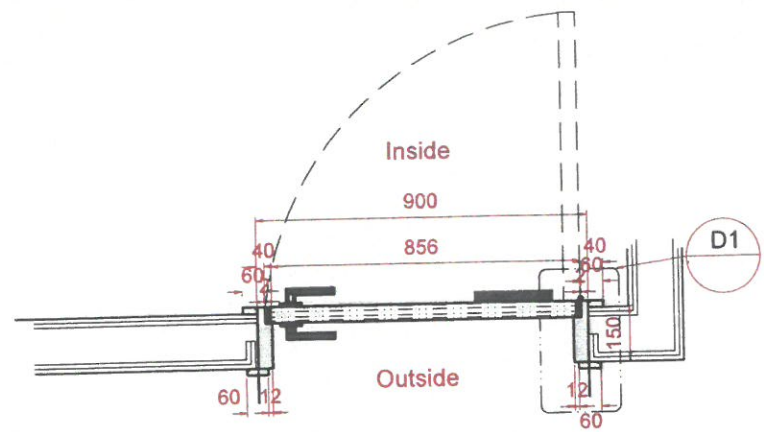


✓ APPROVED



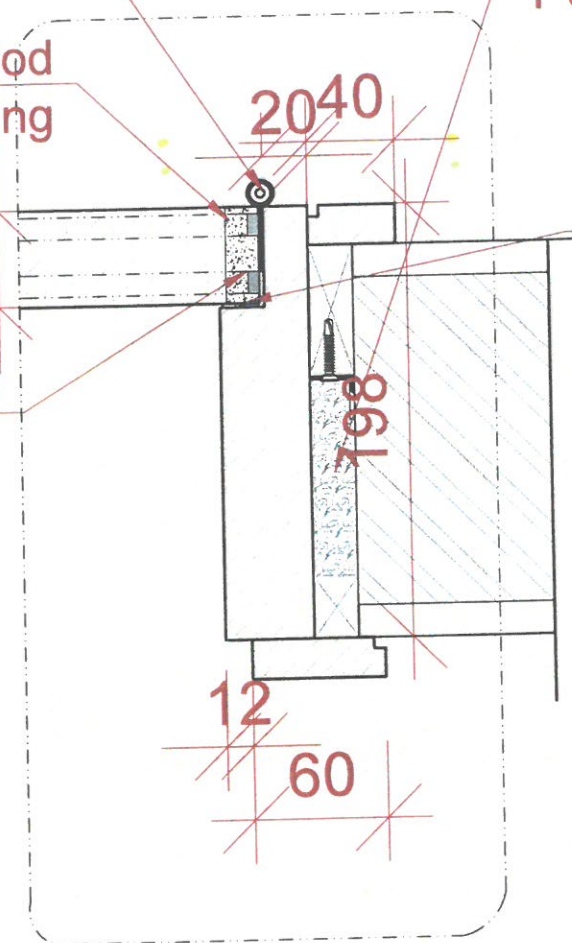
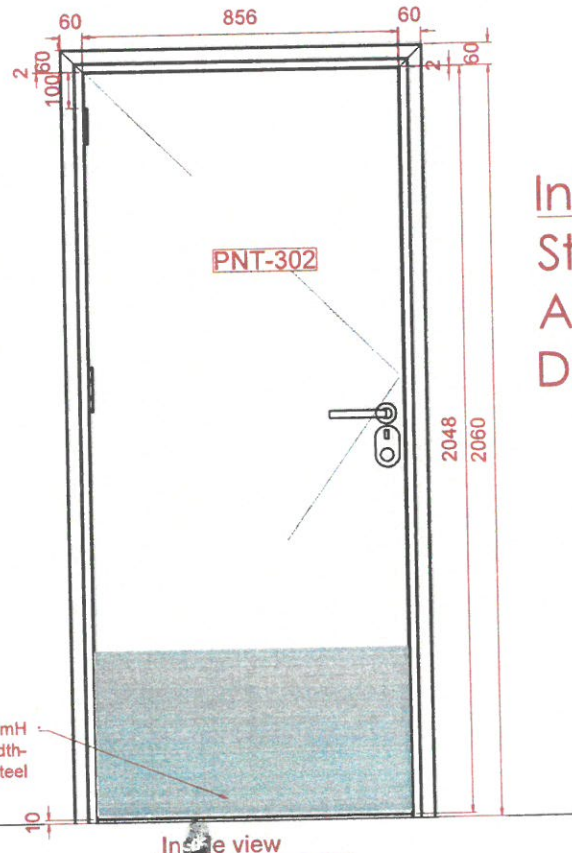
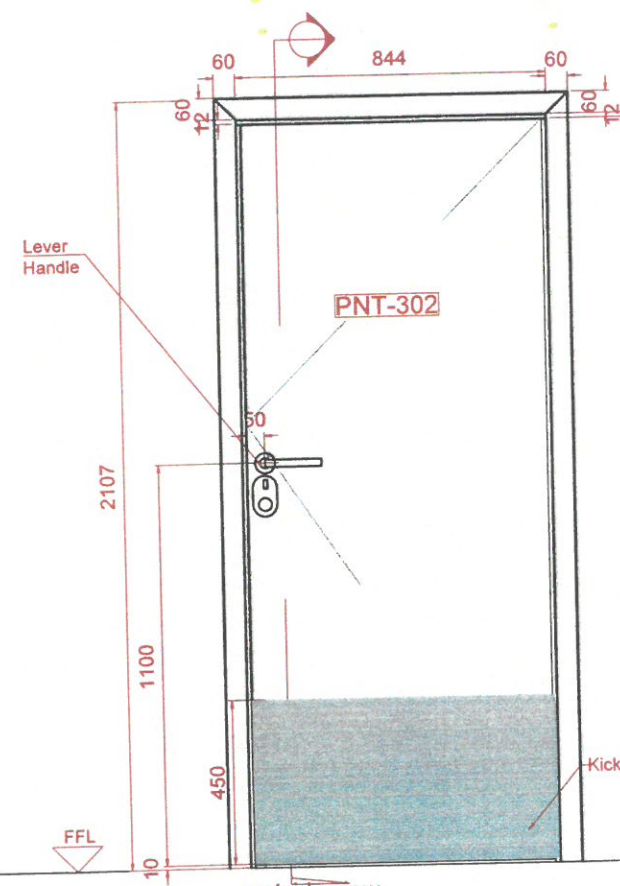
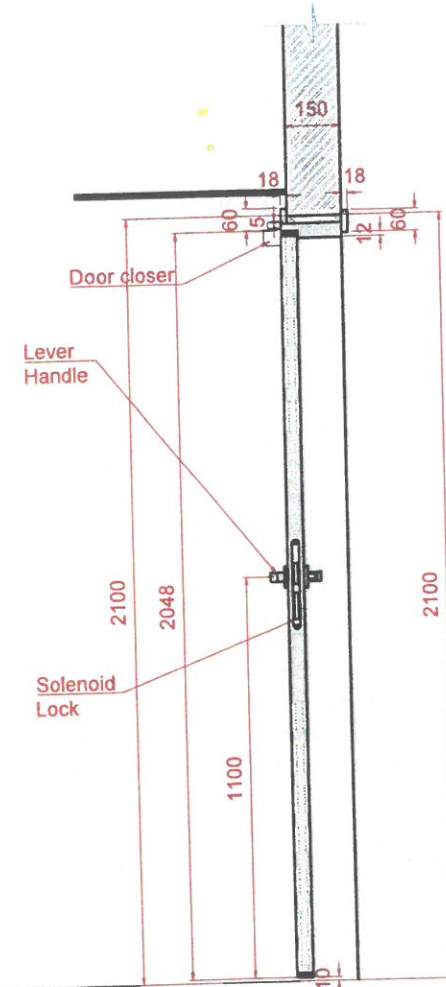
Hinges with curved edges / SS finish

15 Hardwood lipping

PU foam

Multi-fin sound/smoke frame seal

Intumescent Strip 15 mm Above the Door



DC - 1

Section

outside view

Inside view

<b>D10d</b>	MEZZ Engineering,director of security office DOOR	
Panel Size	900mm W x 2100mm H x 56mm thk	
Finish	Painted to match FOH Finish PNT-302	
Door leaf type	Single door, single swing Flush door	
Fittings & Accessories	Handles: Front door handle Type 2 - Lever handle	Stainless steel
	Lock: Solenoid lock	Stainless steel
	Double cylinder grand masterkeyed 80mmL	Stainless steel
	Magnetic door contact	Stainless steel
	Door closer - Non hold open	Stainless steel
	Hinges Type 2: Hinges with curved edges	Stainless steel
	Half moon Door stop & Kick plate 450mmH by width of door	Stainless steel
Location	MEZZ Engineering,director of security office	
Total QTY	3	
Fire Rating	60Mins	
Acoustic	NA	
Remarks		

