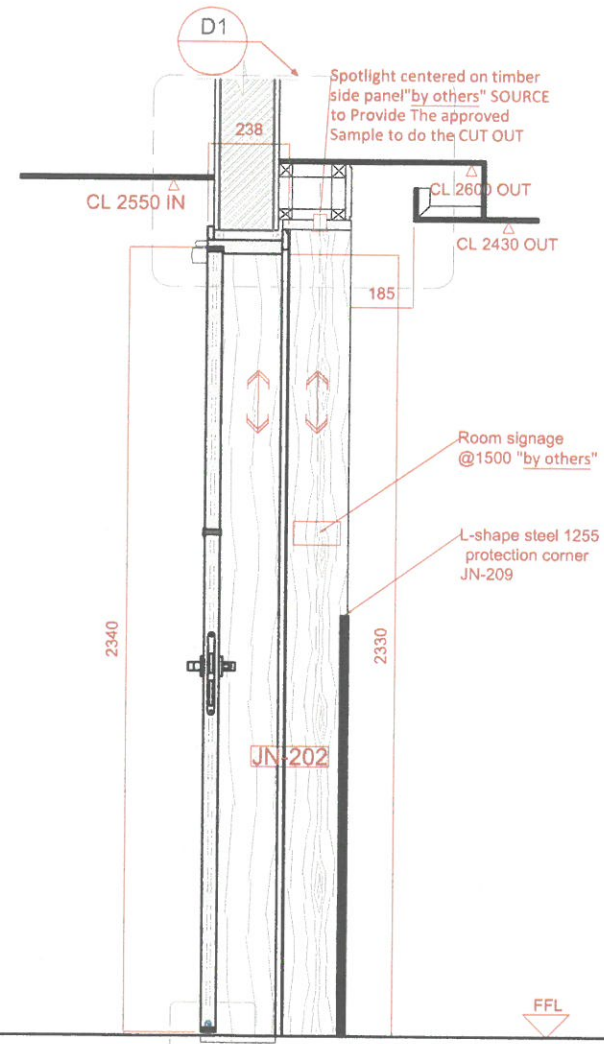
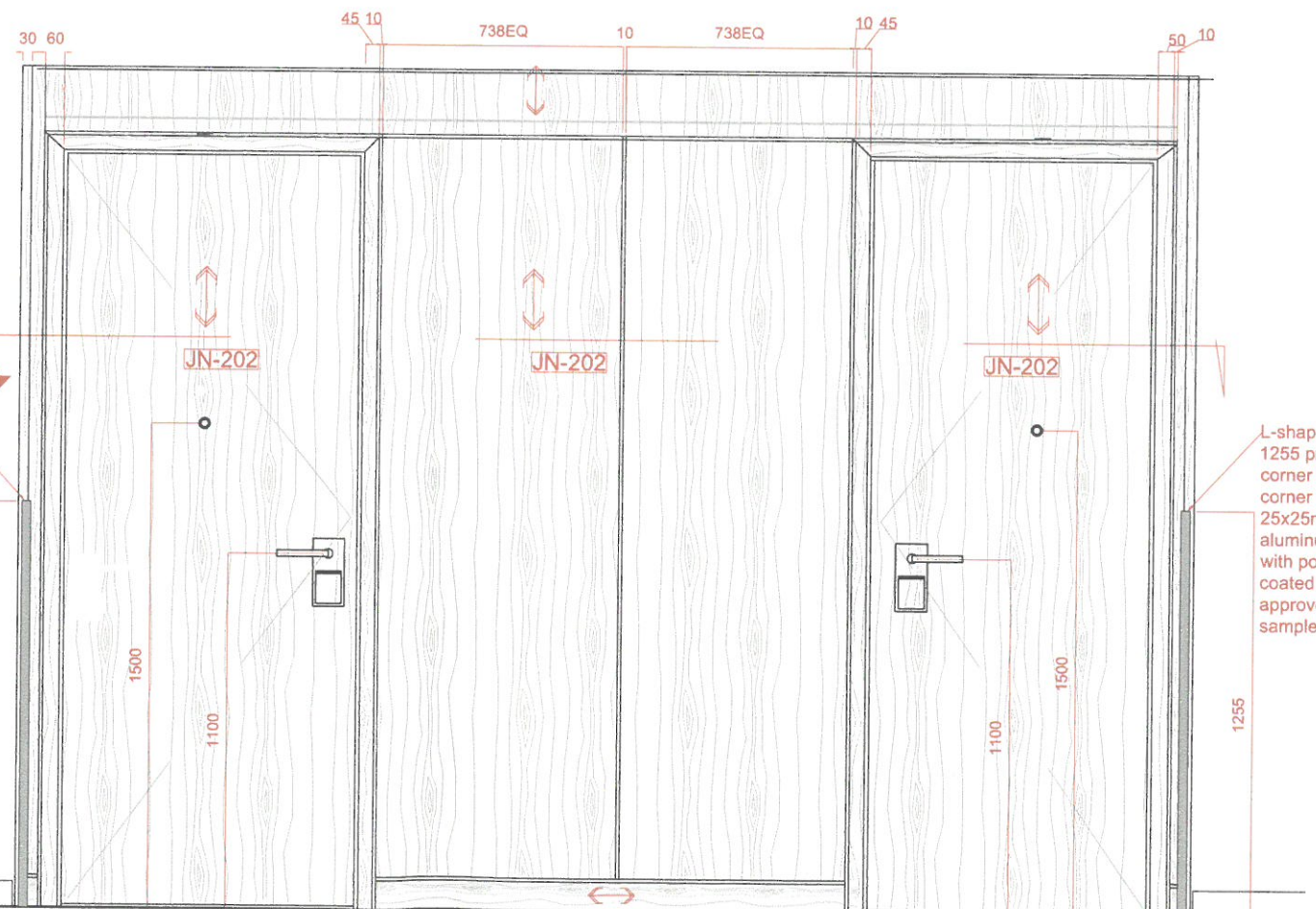


Sample Room



L-shape steel 1255 protection corner height corner finish in 25x25mm aluminum angle with powder coated as per approved sample



L-shape steel 1255 protection corner height corner finish in 25x25mm aluminum angle with powder coated as per approved sample

CORRIDOR/DOOR WALL PANELING TYPE As MUR

2-MUR-3



www.wood-styles.com

Copyright of designs shown herein is retained by this office. Authority is required for any reproduction. © Copyright Wood-styles Ltd.

Nigeria, Lagos +234 80 9037 9888
Email: info@wood-styles.com

Project
**Hyatt Regency Hotel
NG-Lagos-Ikeja**

Owner

Date	Description
01-09-2023	A FOR APPROVAL
25-10-2023	B FOR APPROVAL
18-12-2023	C FOR APPROVAL

For Approval

Project No. : NG23 - Hyatt Regency Hotel
Scale : A3 = 1 : 25
Drawn by : Damil
Checked : Kinan
Cad File : CAD File

Sheet title
Corridor Cladding Type As MUR
Shop Drawing

Typical Floor 1-6

Dwg No. : D&C-15 No. : **C**