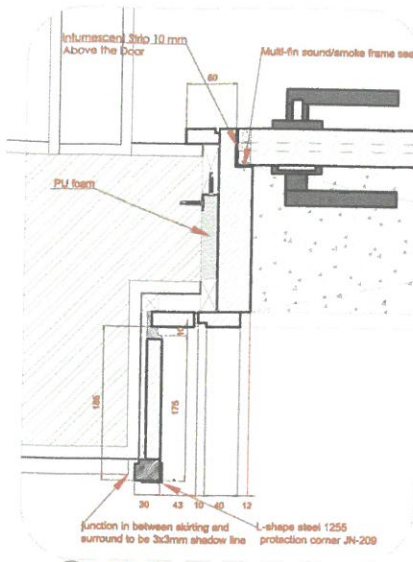
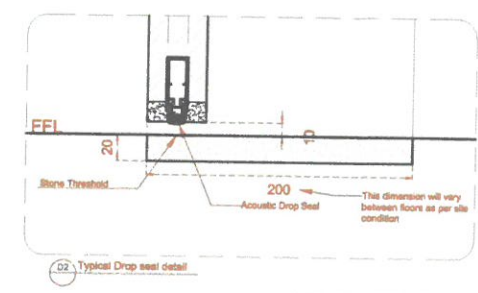


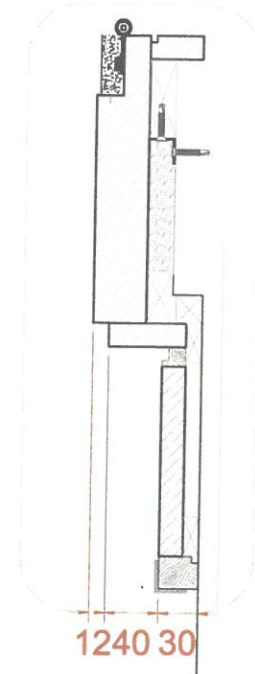
D1 Typical Bulkhead detail



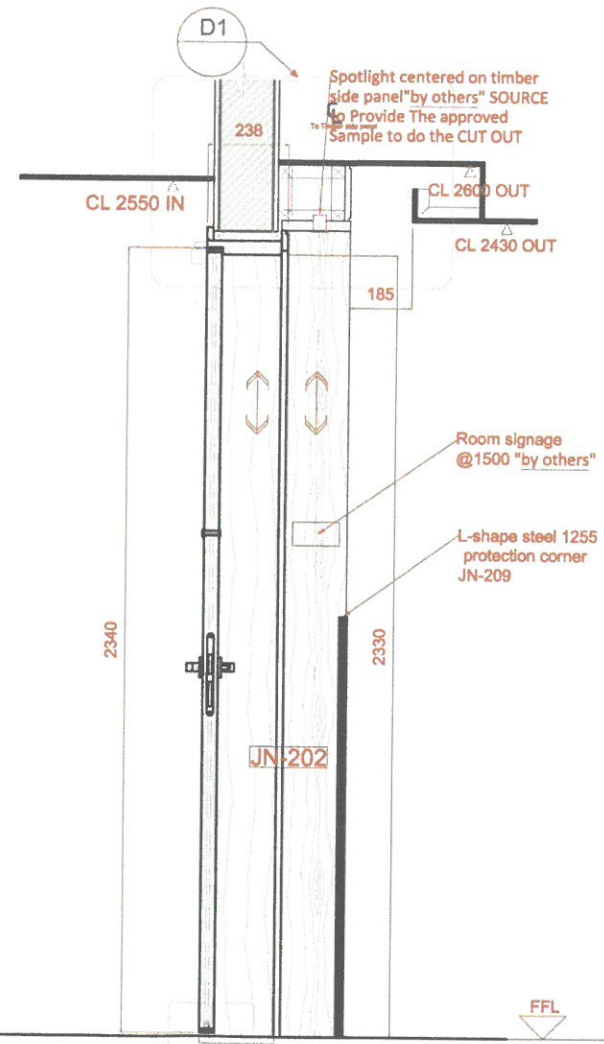
D3 Typical Frame detail



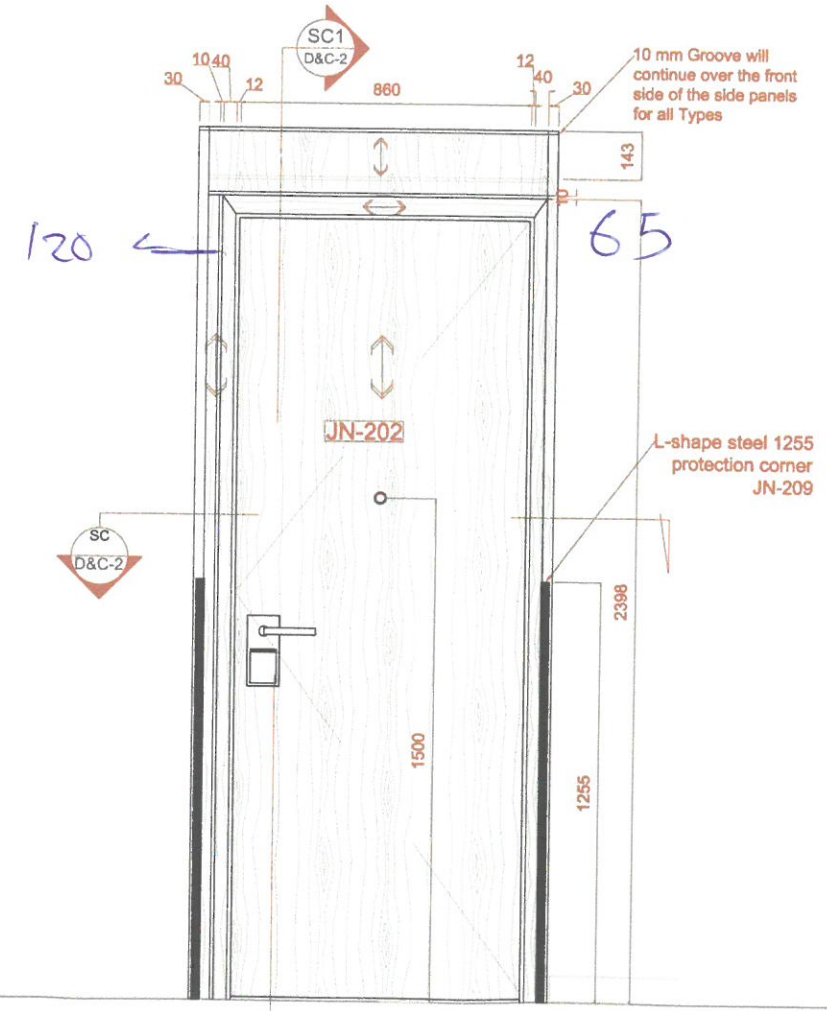
D2 Typical Drop seal detail



Type A and A mir. architrave



D2 SC1 Section



A outside view D&C-1

1-A-2

CORRIDOR/DOOR WALL PANELING TYPE A



www.wood-styles.com

Copyright of designs shown herein is retained by this office. Authority is required for any reproduction. © Copyright Wood-styles Ltd.

Nigeria, Lagos +234 80 9037 9888  
Email: info@wood-styles.com

Project  
Hyatt Regency Hotel  
NG-Lagos-Ikeja

Owner

Date Description

For Approval

Project No. : NG23 - Hyatt Regency Hotel  
Scale : A3 = 1 : 25  
Drawn by : Dami  
Checked : Kinan  
Cad File : CAD File

Sheet title  
Corridor Cladding Type A  
Shop Drawing

Dwg No. D&C-2 No. D