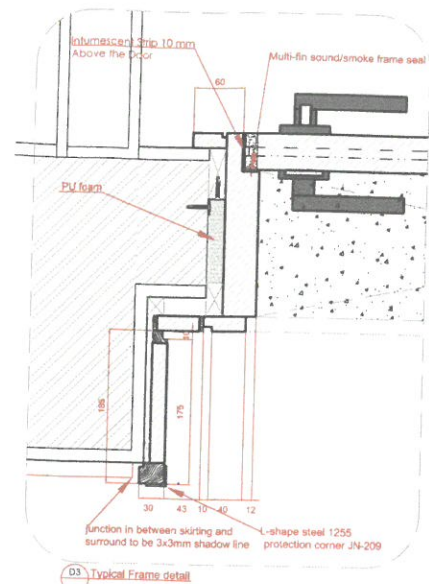
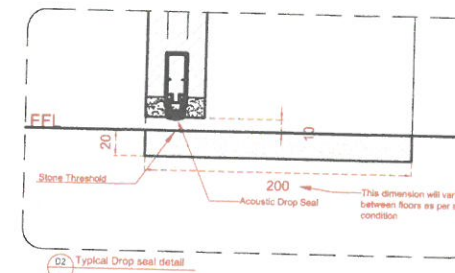


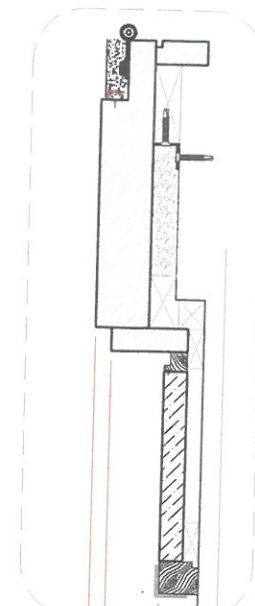
D1 Typical Bulkhead detail



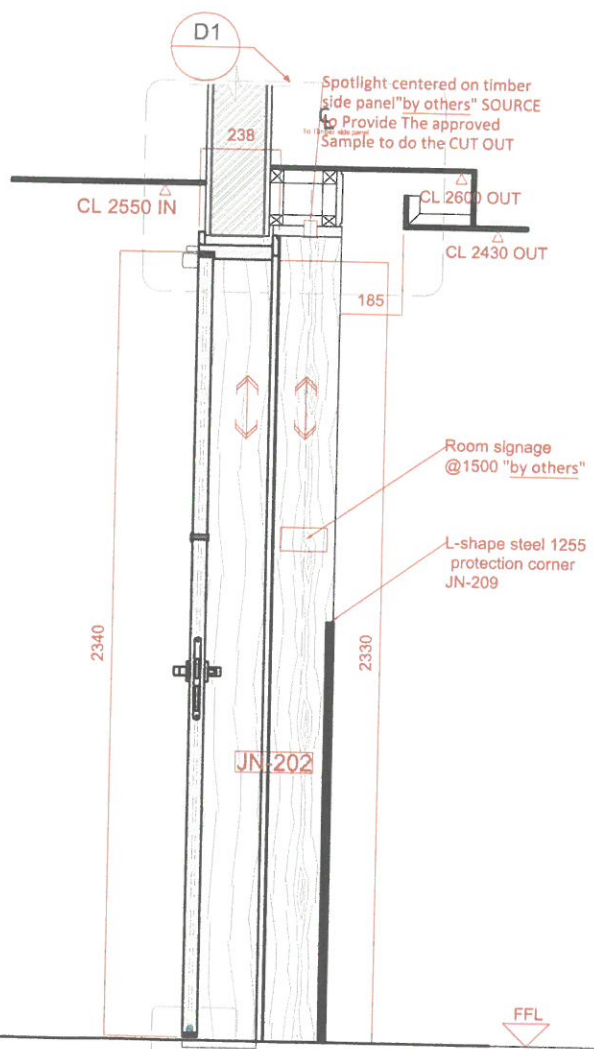
D3 Typical Frame detail



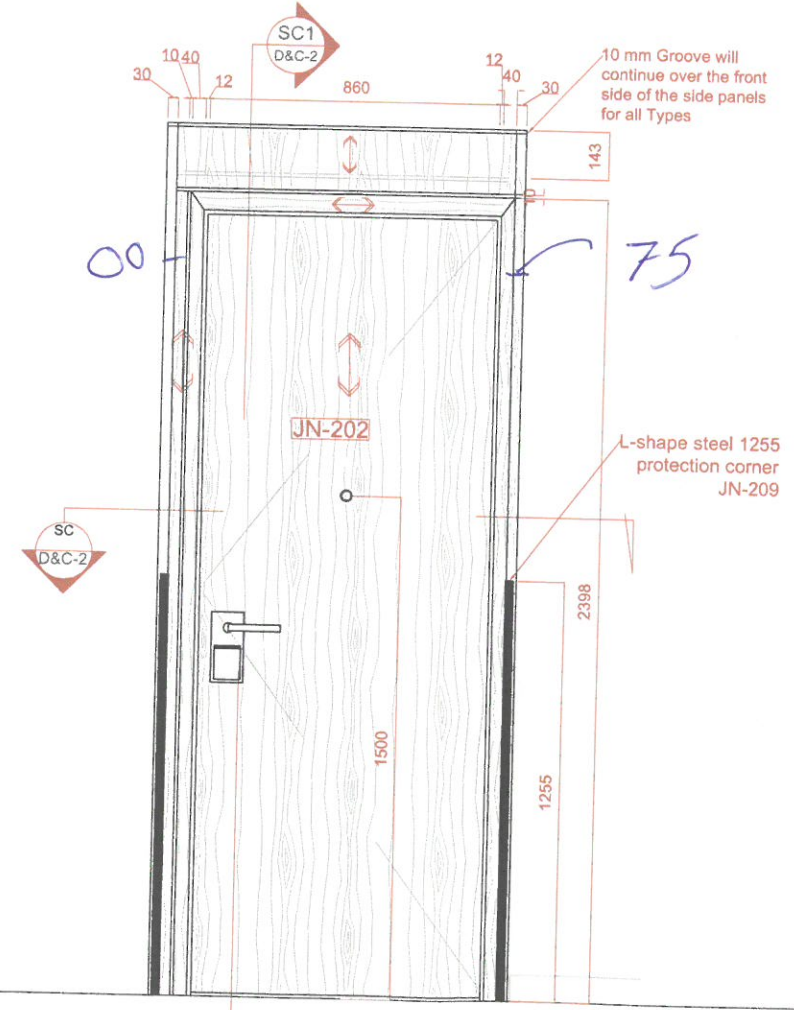
D2 Typical Drop seal detail



1240 30
Type A and A mir. architrave



D2 Section



A outside view

1-A-1

CORRIDOR/DOOR WALL PANELING TYPE A

WOODstyles



www.wood-styles.com

Copyright of designs shown herein is retained by this office. Authority is required for any reproduction. © Copyright Wood-styles Ltd.

Nigeria, Lagos +234 80 9037 9888

Email: info@wood-styles.com

Project
Hyatt Regency Hotel
NG-Lagos-Ikeja

Owner

Date	Description

For Approval

Project No. : NG23 - Hyatt Regency Hotel
Scale : A3 = 1 : 25
Drawn by : Damil
Checked : Kinan
Cad File : CAD File

Sheet title
Corridor Cladding Type A
Shop Drawing

Dwg No.
D&C-2

No.
D